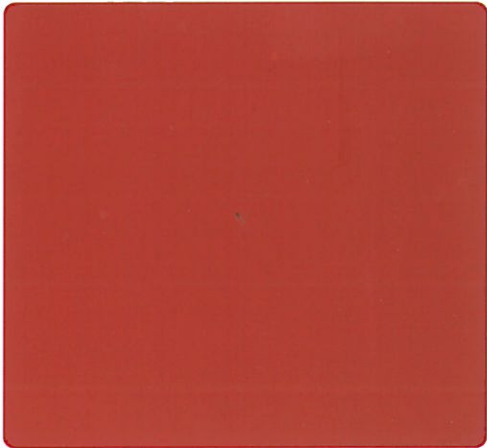
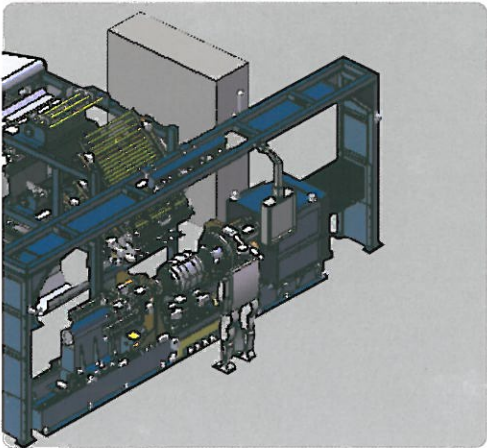
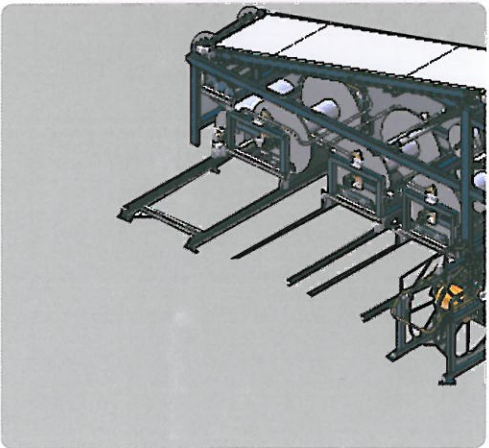
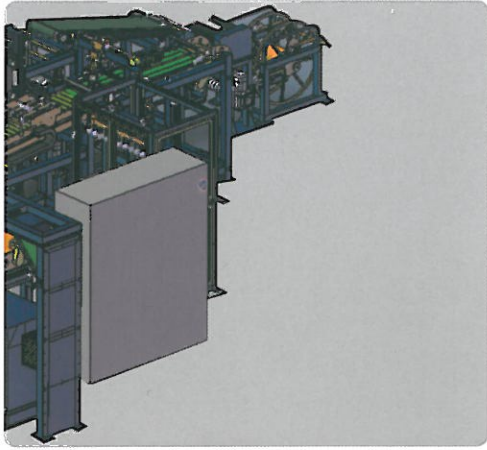
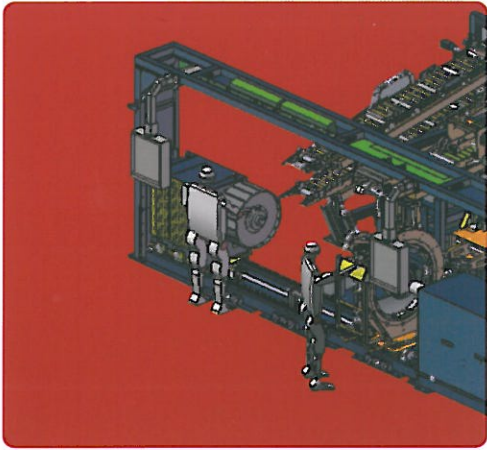
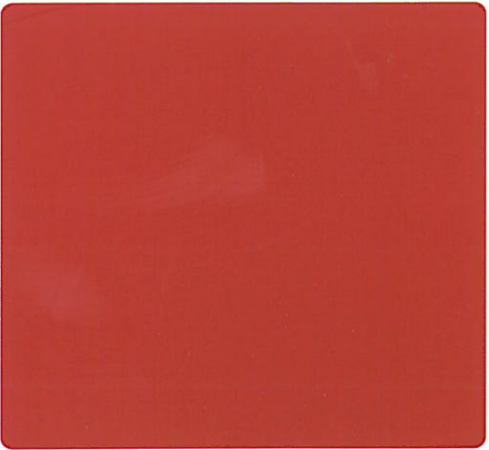


MESNAC

**LCY(E)-J Series Two-stage
PCR and LTR Tire Building Machine**

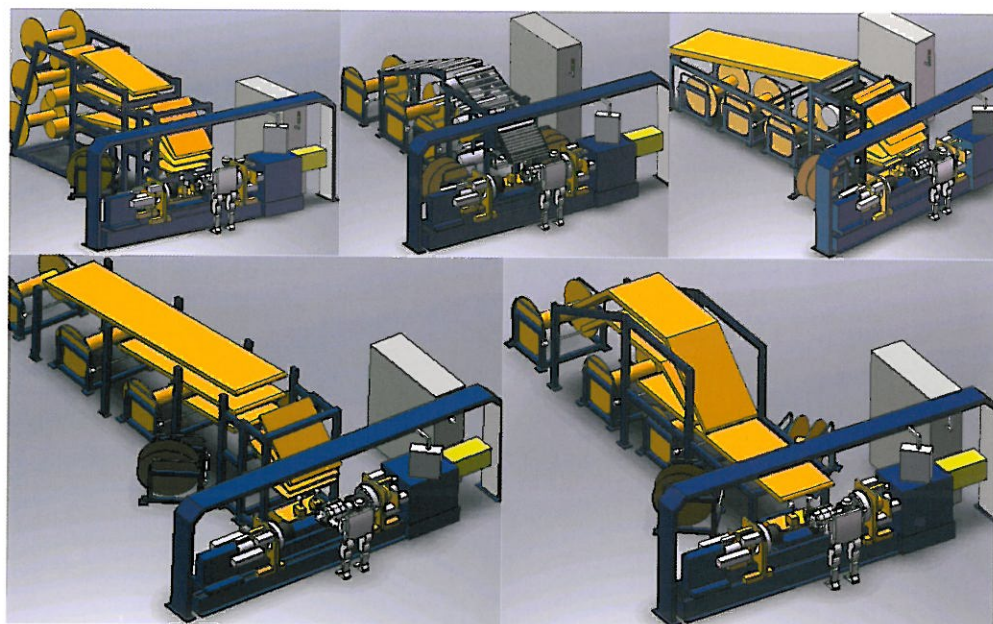


Equipment
Features

MESNAC

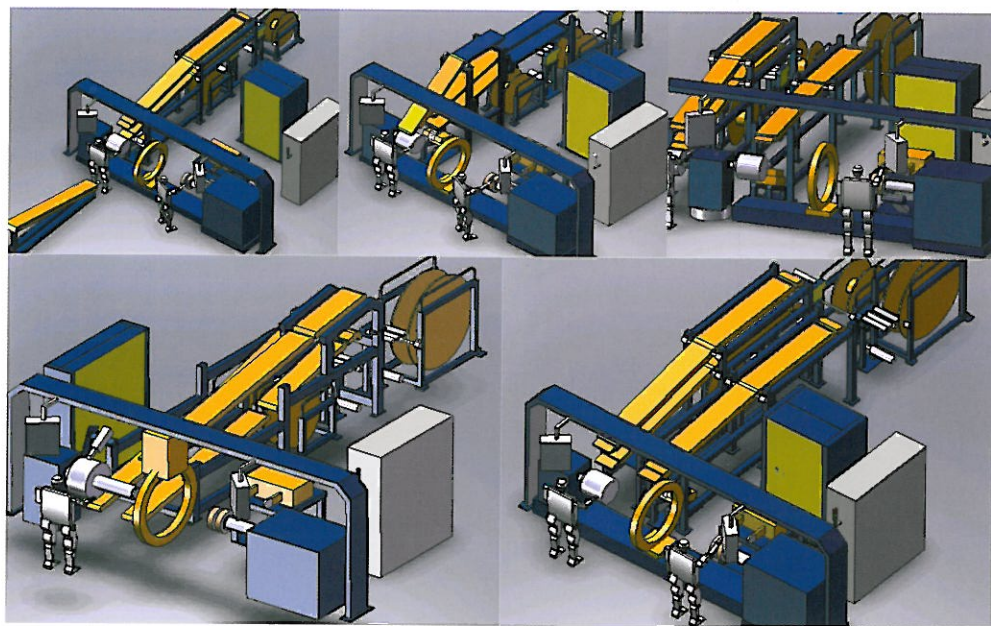
LCY-J

Series PCR and LTR Tire Building Machine (First Stage)



LCE-J

Series PCR and LTR Tire Building Machine (Second Stage)





Application

The series of machine is suitable for two-stage building of PCR and LTR, including first stage and second stage machines.

Applying Range

This series of machine is applicable for the first and second stages building for PCR and LTR tires with bead diameters of 12"-16", 13"-17", 14"-18", 16"-20" and 18"-22" etc.

Features

- This series of machine is designed with modularized structure and function, series production allocation, and allocation production management mode, which could satisfy different technical requirements.
- Allocation product configuration, with multiple production combining forms; the machinery, electricity and software adopt standard interface, which can be customized quickly according to user's individual requirements.
- Independent intellectual property rights: there are more than 20 inventions and utility models, which could supply the users simple individual solutions quickly, and satisfy users' different individual requirements.
- High cost performance and low failure rate, large producing range, high efficiency and quality, easy size change, which is easy to maintain and adjust.
- Excellent interchange design: the users could choose and combine function modules according to the requirements.